



RiscPC 30th Birthday





RiscPC 30th Birthday

Project Victoria

- Approved May 1992
- Integrated Development Project
- “Product in 15 months”, actual 22
- Sales forecast 20000-25000/year 1994-96



RiscPC 30th Birthday

Project Victoria

- Low spec desktop / high spec tower
- Single case designed by Allen Boothroyd
- 100 prototypes (disguised!) at £1000 each
- Mini network card (future small machine)
- Audio input, SCSI, and direct drive printer

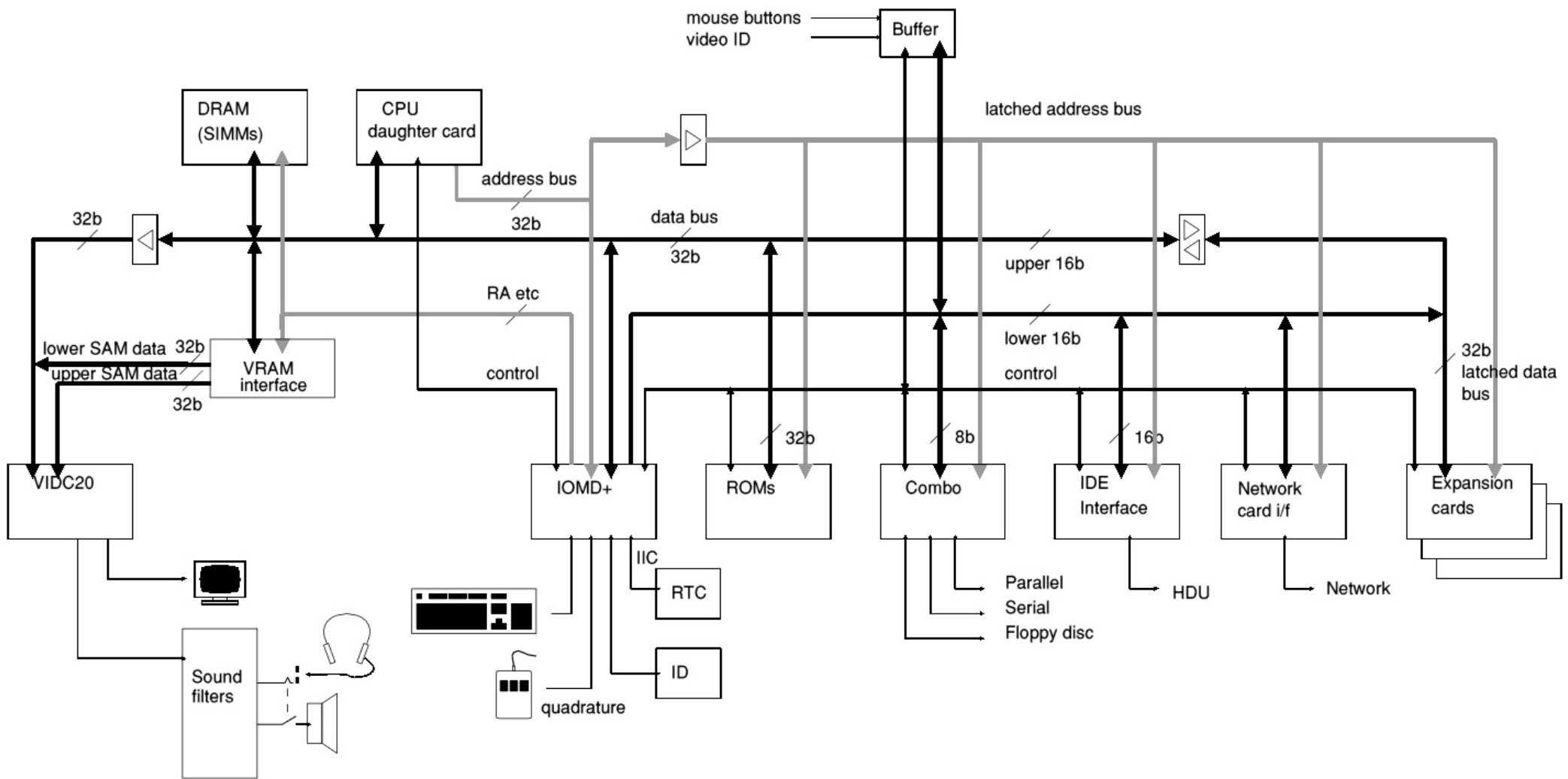
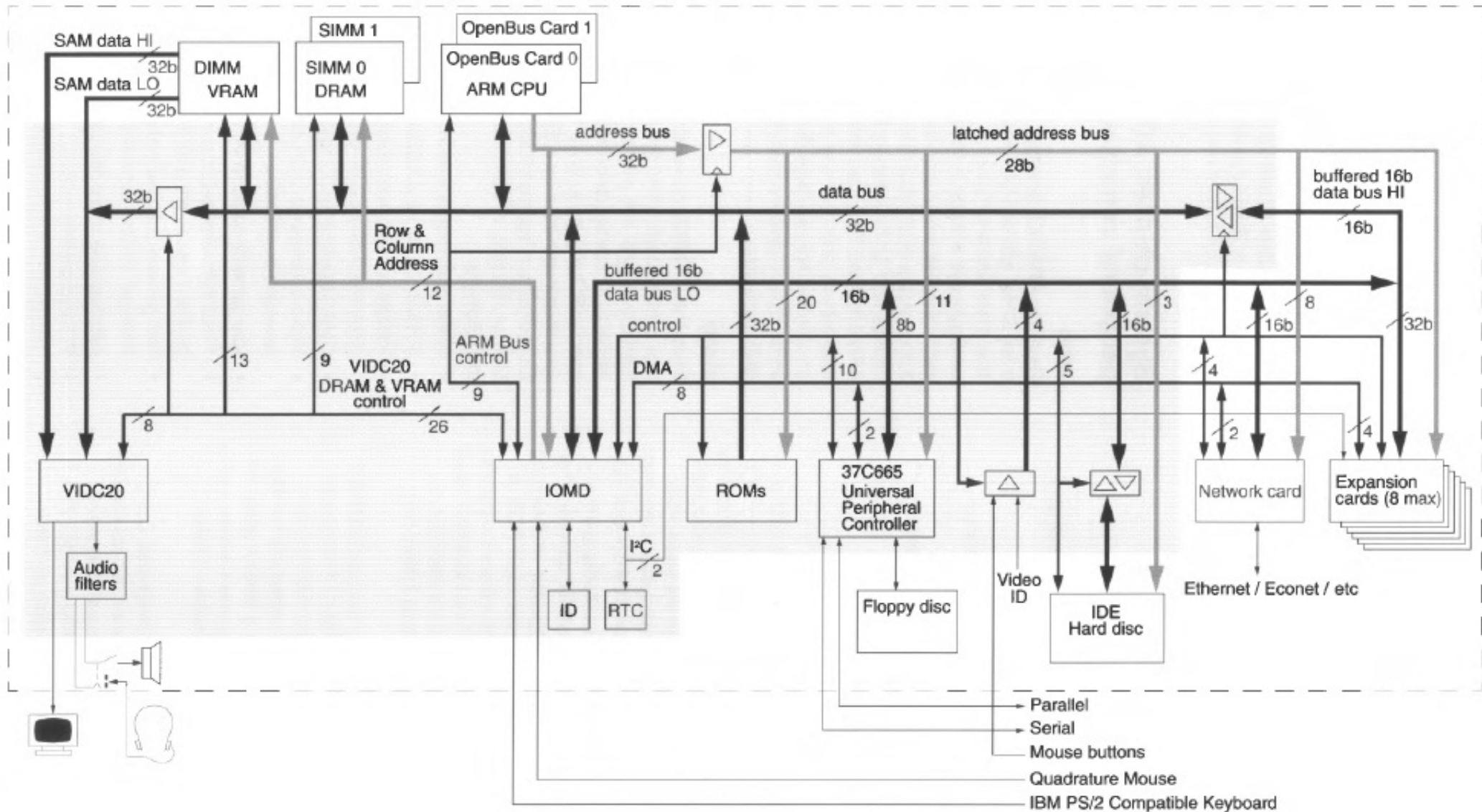


Figure 2.2 Medusa block diagram





RiscPC 30th Birthday

Project Blue (RISC OS 3.5)

- Initially only updates for new hardware
- Paint, Draw, ChangeFSI upgraded
- Make Style Guide compliant later
- Replace Maestro (still not happened!)



RiscPC 30th Birthday

Timeline

- | | | | |
|----------|---------------------------|----------|-------------------------------|
| May 1992 | - Project approved | Apr 1994 | - Release! |
| Jul 1992 | - Case design proposals | Oct 1994 | - 486SX PC Card |
| Sep 1992 | - "Project too big" | Feb 1995 | - 16-bit sound card |
| Jan 1993 | - Replace A B Electronics | Jul 1995 | - ARM710 / RO3.60 |
| Mar 1993 | - IOMD samples | Aug 1996 | - StrongARM / RO3.70 |
| Jun 1993 | - Build 16 prototypes | Sep 1997 | - RiscPC J233 launched |
| Jun 1993 | - Outline fonts in WIMP | Oct 1997 | - RiscPC2 announced |
| Jul 1993 | - VIDC20 prototype delay | Sep 1998 | - Workstation division closed |



All fixed in RiscPC2...

